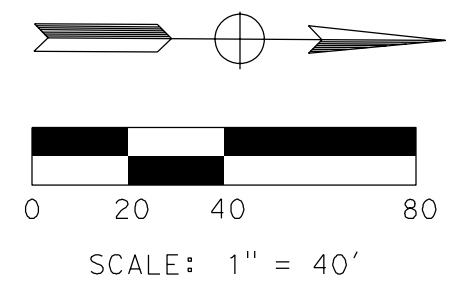
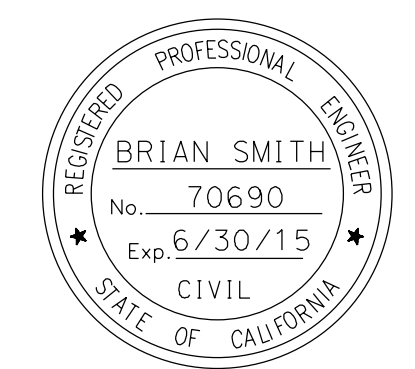


CURVE DATA

No.	R	$\Delta$	T	L
1	100.00	89°57'56"	99.94	157.02
2	50.00	90°03'01"	50.04	78.58
3	25.00	90°01'57"	25.01	39.28
4	25.00	89°57'05"	24.98	39.25
5	15.00	90°02'39"	15.01	23.57
6	15.00	89°57'21"	14.99	23.55
7	10.00	89°59'30"	10.00	15.71
8	15.00	90°00'30"	15.00	23.56
9	15.00	90°02'04"	15.01	23.57
10	15.00	89°57'56"	14.99	23.55
11	10.00	87°08'02"	9.51	15.21
12	2.00	142°36'34"	5.91	4.98
13	2.00	85°03'10"	1.83	2.97
14	2.00	154°33'59"	8.86	5.40



Underground Service Alert  
 Call: TOLL FREE  
 1-800-422-4133  
 TWO WORKING DAYS BEFORE YOU DIG



**AECOM**  
 901 VIA PIEMONTE  
 5TH FLOOR  
 ONTARIO, CA 91764

APPROVED BY: \_\_\_\_\_ DATE: \_\_\_\_\_

MARK	REVISIONS	BY	APPR	DATE

BENCHMARK:  
 CITY OF SAN BERNARDINO B7-1  
 USC & GS DESIGNATION: H-524 RESET 1962  
 ELEVATION = 1011.231 (NGVD 29/1972 ADJ.)



APPROVED \_\_\_\_\_ 20 12

CITY ENGINEER ROBERT G. EISENBEISZ  
 RCE NO. 24931 EXP. 6-30-15

DRAWN BY: A. CADD

CHECKED BY: \_\_\_\_\_

RECOMMENDED BY: \_\_\_\_\_

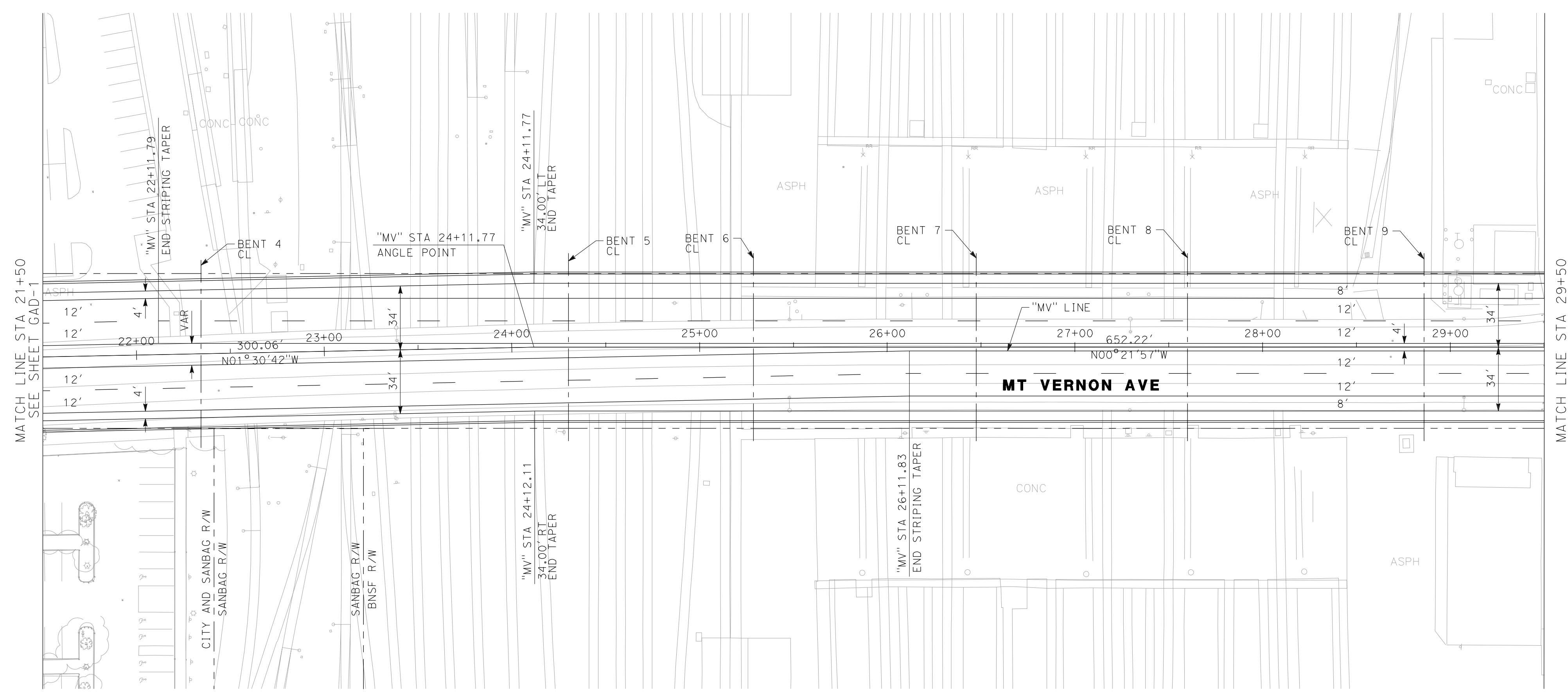
**CITY OF SAN BERNARDINO**  
 DEVELOPMENT SERVICES-PUBLIC WORKS/ENGINEERING

**MOUNT VERNON GRADE SEPARATION  
 BRIDGE REPLACEMENT**

**GEOMETRIC APPROVAL DRAWING  
 LAYOUT**

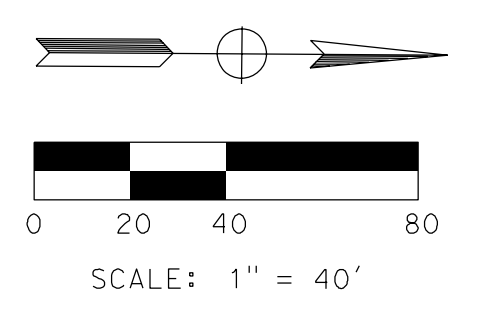
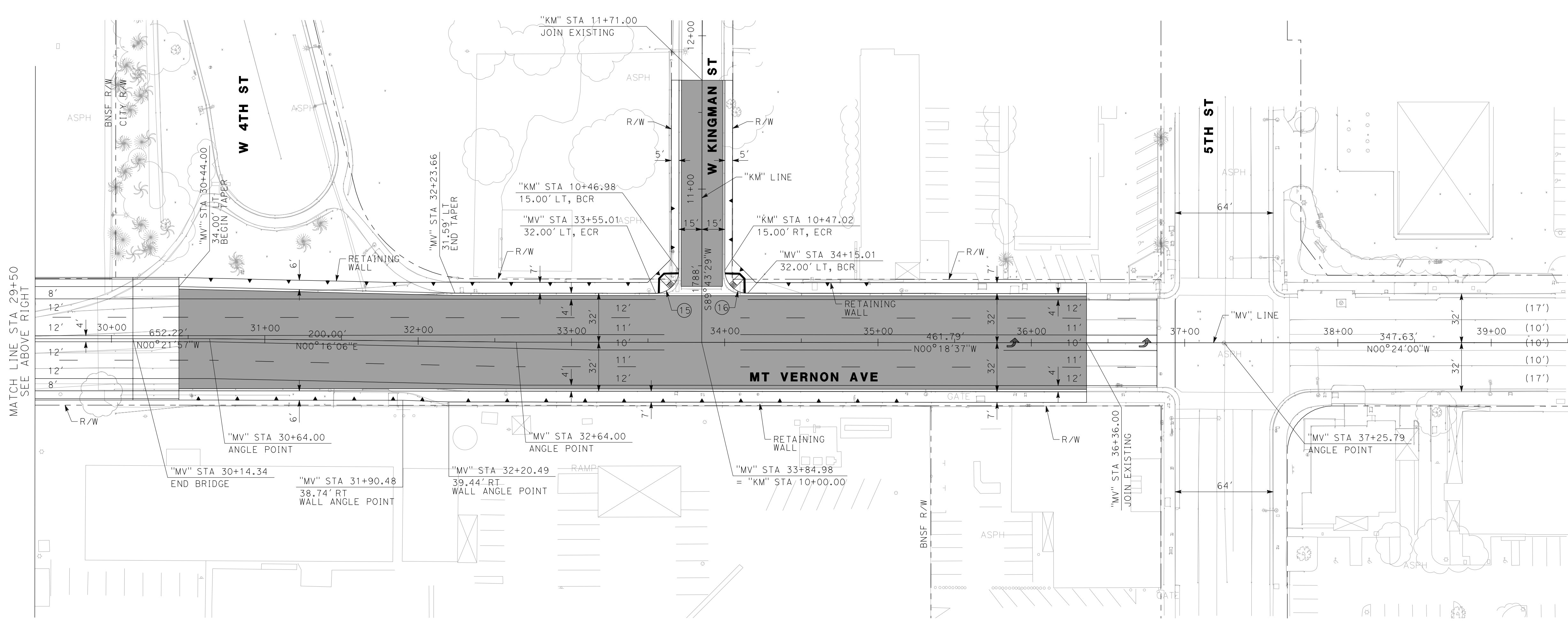
FOR CITY USE ONLY: FILE NO. \_\_\_\_\_ W.O. NO. \_\_\_\_\_

DRAWING NO. **GAD-1**  
 SHEET \_\_\_\_ OF \_\_\_\_ SHEETS



CURVE DATA

No.	R	Δ	T	L
15	15.00	89°57'54"	14.99	23.55
16	15.00	90°02'06"	15.01	23.57



Underground Service Alert  
 Call: TOLL FREE  
 1-800-422-4133  
 TWO WORKING DAYS BEFORE YOU DIG

PROFESSIONAL ENGINEER  
 BRIAN SMITH  
 No. 70690  
 Exp. 6/30/15  
 CIVIL  
 STATE OF CALIFORNIA

**AECOM**  
 901 VIA PIEMONTE  
 5TH FLOOR  
 ONTARIO, CA 91764

APPROVED BY: \_\_\_\_\_ DATE: \_\_\_\_\_

MARK	REVISIONS	BY	APPR	DATE
BENCHMARK: CITY OF SAN BERNARDINO B7-1 USC & GS DESIGNATION: H-524 RESET 1962 ELEVATION = 1011.231 (NGVD 29/1972 ADJ.)				

REGISTERED PROFESSIONAL ENGINEER  
 ROBERT G. EISENBERG  
 No. 54931  
 CIVIL  
 STATE OF CALIFORNIA

APPROVED \_\_\_\_\_ 2012  
 CITY ENGINEER ROBERT G. EISENBERG  
 RCE NO. 24931 EXP. 6-30-15  
 DRAWN BY: A. CADD  
 CHECKED BY: \_\_\_\_\_  
 RECOMMENDED BY: \_\_\_\_\_

**CITY OF SAN BERNARDINO**  
 DEVELOPMENT SERVICES-PUBLIC WORKS/ENGINEERING  
**MOUNT VERNON GRADE SEPARATION  
 BRIDGE REPLACEMENT**  
**GEOMETRIC APPROVAL DRAWING  
 LAYOUT**

FOR CITY USE ONLY: FILE NO. \_\_\_\_\_ W.O. NO. \_\_\_\_\_

DRAWING NO. **GAD-2**  
 SHEET \_\_\_\_ OF \_\_\_\_ SHEETS

PROFILE SCALE  
 HORIZ. 1" = 40'  
 VERT. 1" = 8'

1130  
 1110  
 1090  
 1070

13+00 14+00 15+00 16+00 17+00 18+00 19+00 20+00 21+00 22+00 23+00

DESIGN SPEED = 45 MPH  
 L = 450.00'  
 G1 = 0.30%  
 G2 = 6.00%

(0.30%)

BVC 13+83.00  
 ELEV 1079.94

PVI 16+08.00  
 ELEV 1080.62

"2E" CL  
 "2W" CL

EVC 18+33.00  
 ELEV 1094.12

PG @ "MV" LINE

STA 19+74.34  
 BEGIN BRIDGE

BENT 2  
 CL

BENT 3  
 CL

BENT 4  
 CL

6.00%

3RD ST  
 CL

16.8'

OG

BNSF RIGHT OF WAY

24.0'

MATCH LINE STA 23+00  
 SEE SHEET GAD-4

"MV" LINE PROFILE

Underground Service Alert  
 Call: TOLL FREE  
 1-800-422-4133  
 TWO WORKING DAYS BEFORE YOU DIG



**AECOM**  
 901 VIA PIEMONTE  
 5TH FLOOR  
 ONTARIO, CA 91764  
 APPROVED BY: \_\_\_\_\_ DATE: \_\_\_\_\_

MARK	REVISIONS	BY	APPR	DATE

BENCHMARK:  
 CITY OF SAN BERNARDINO B7-1  
 USC & GS DESIGNATION: H-524 RESET 1962  
 ELEVATION = 1011.231 (NGVD 29/1972 ADJ.)

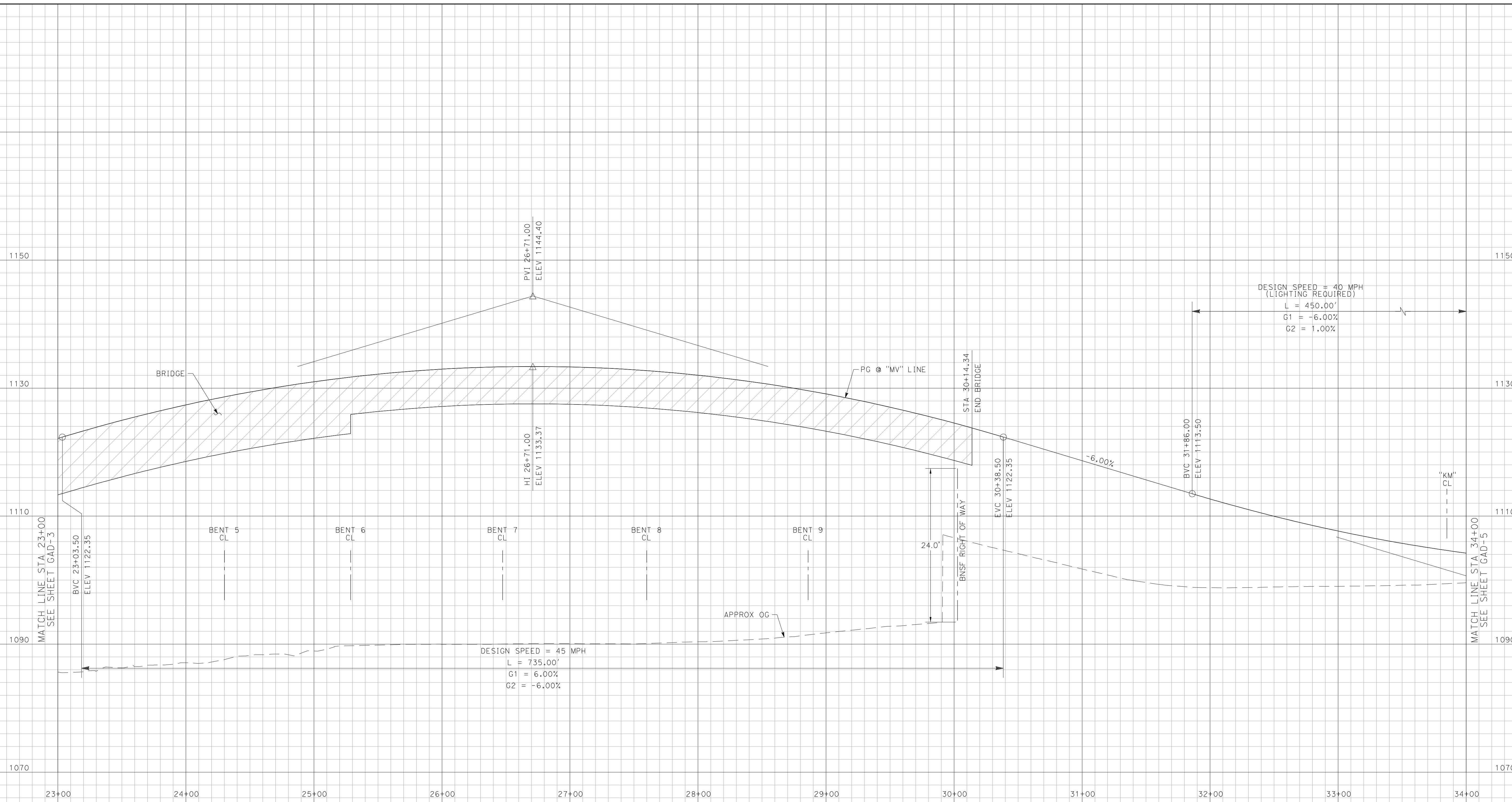


APPROVED \_\_\_\_\_ 20 12  
 CITY ENGINEER ROBERT G. EISELE  
 RCE NO. 24931 EXP. 6-30-15  
 DRAWN BY: A. GADD  
 CHECKED BY: \_\_\_\_\_  
 RECOMMENDED BY: \_\_\_\_\_

**CITY OF SAN BERNARDINO**  
 DEVELOPMENT SERVICES-PUBLIC WORKS/ENGINEERING  
**MOUNT VERNON GRADE SEPARATION**  
**BRIDGE REPLACEMENT**  
**GEOMETRIC APPROVAL DRAWING**  
**PROFILE**

DRAWING NO.  
**GAD-3**  
 SHEET \_\_\_\_ OF \_\_\_\_ SHEETS  
 FOR CITY USE ONLY: FILE NO. \_\_\_\_\_ W.O. NO. \_\_\_\_\_

PROFILE SCALE  
 HORIZ. 1" = 40'  
 VERT. 1" = 8'



"MV" LINE PROFILE

Underground Service Alert  
 Call: TOLL FREE  
 1-800-422-4133  
 TWO WORKING DAYS BEFORE YOU DIG

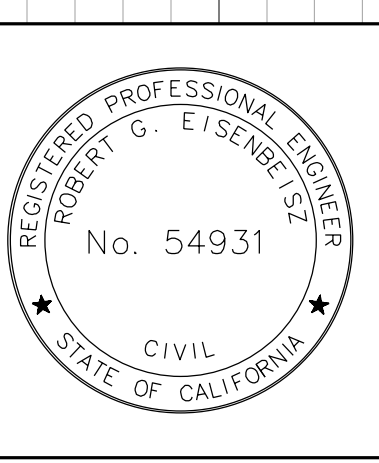


**AECOM**  
 901 VIA PIEMONTE  
 5TH FLOOR  
 ONTARIO, CA 91764

APPROVED BY: \_\_\_\_\_ DATE: \_\_\_\_\_

MARK	REVISIONS	BY	APPR	DATE

BENCHMARK:  
 CITY OF SAN BERNARDINO B7-1  
 USC & GS DESIGNATION: H-524 RESET 1962  
 ELEVATION = 1011.231 (NGVD 29/1972 ADJ.)



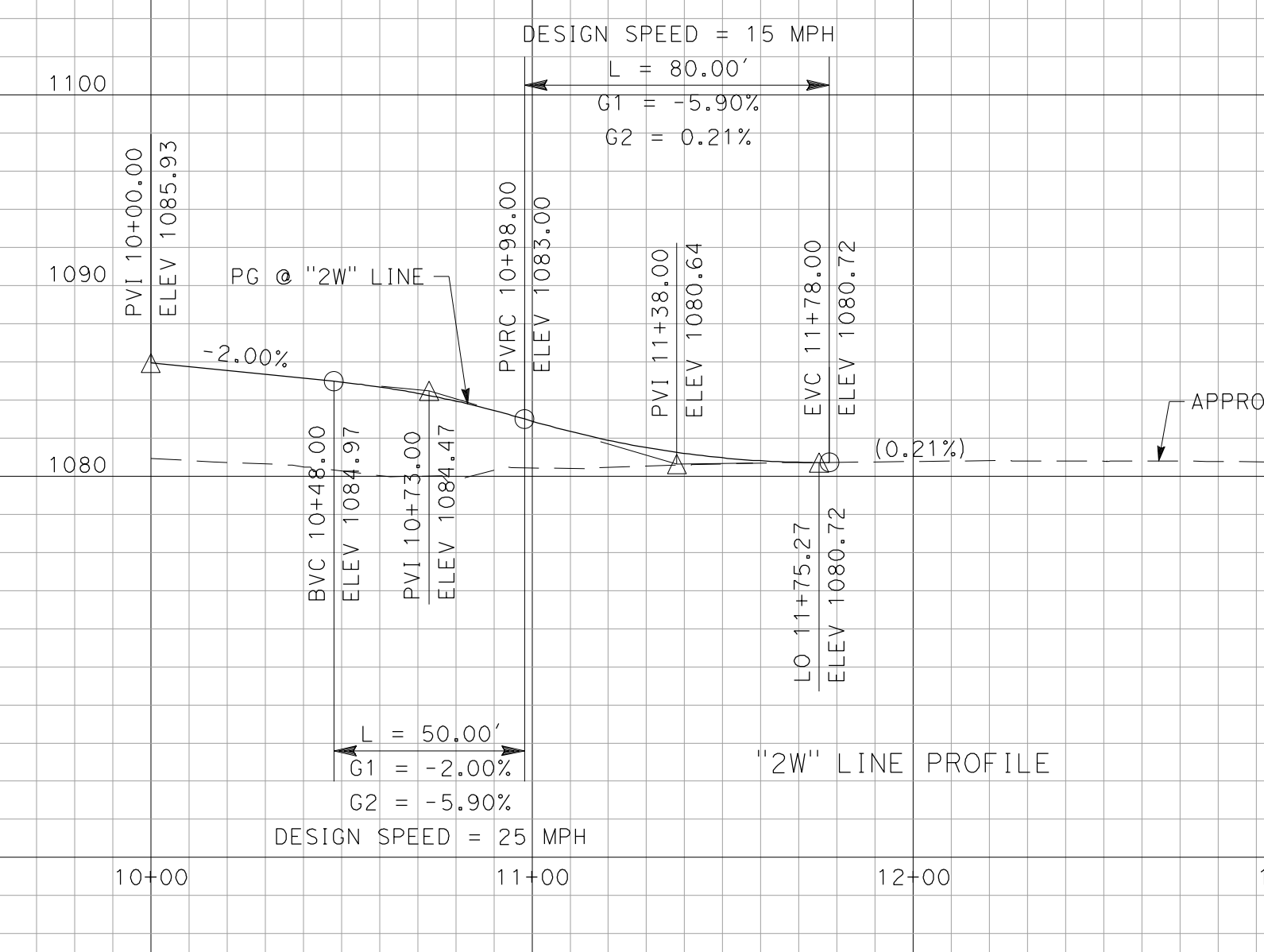
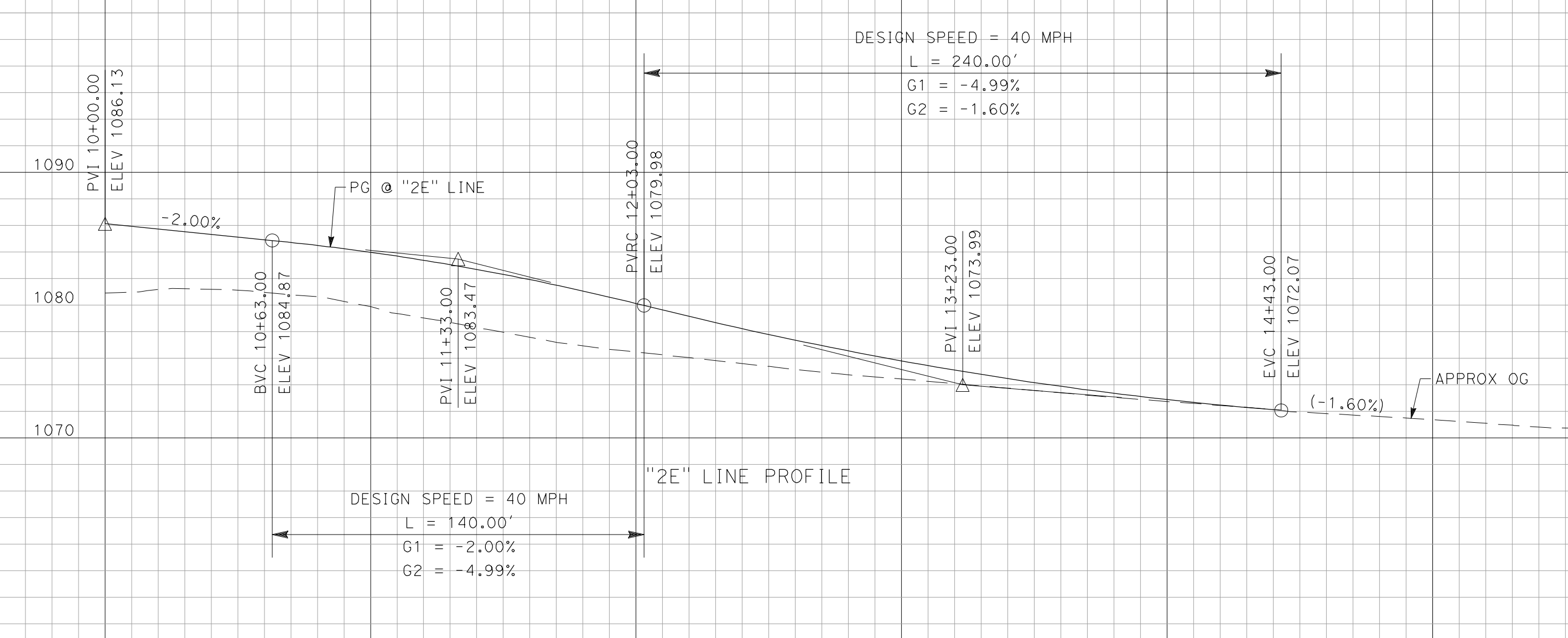
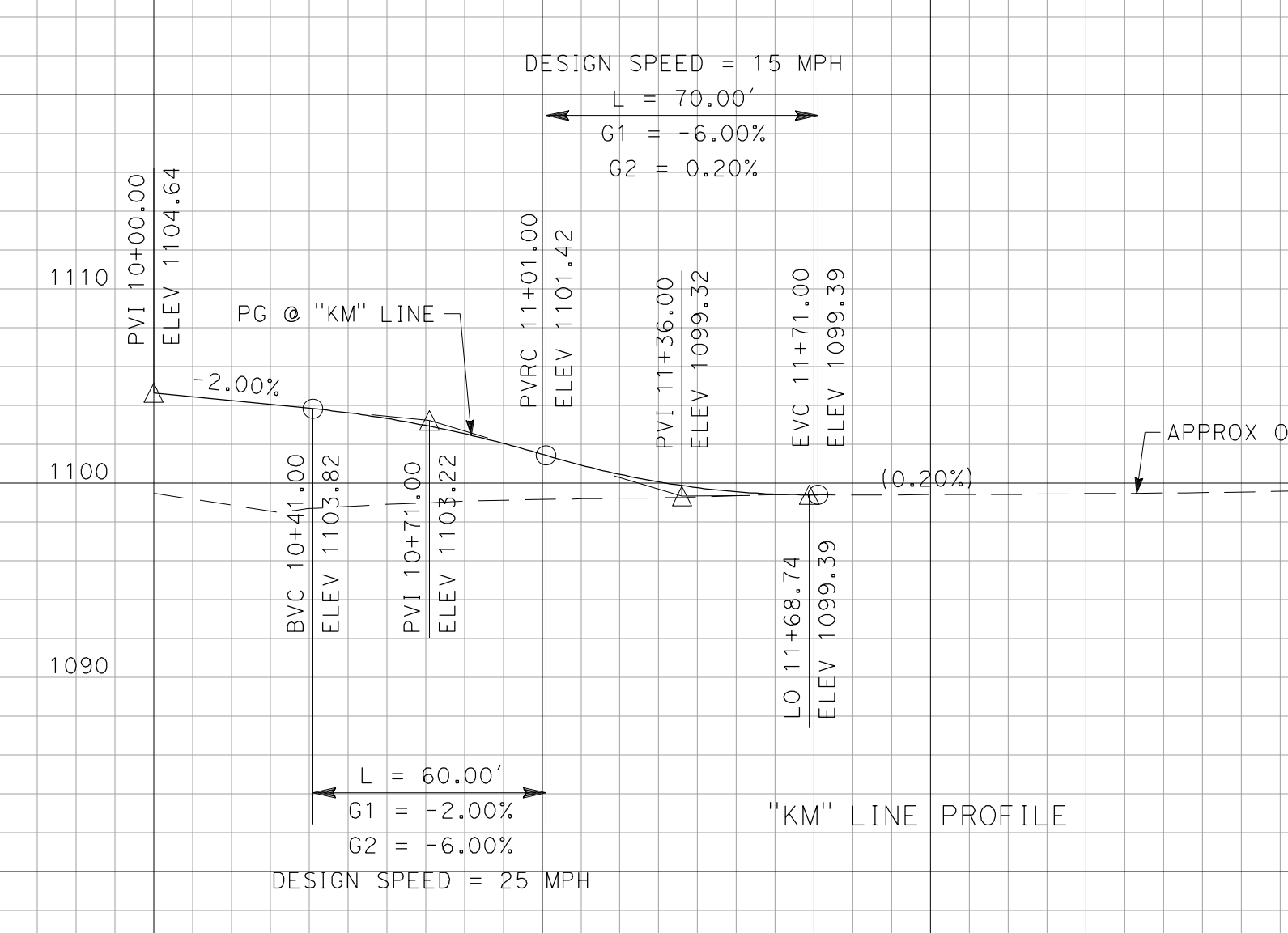
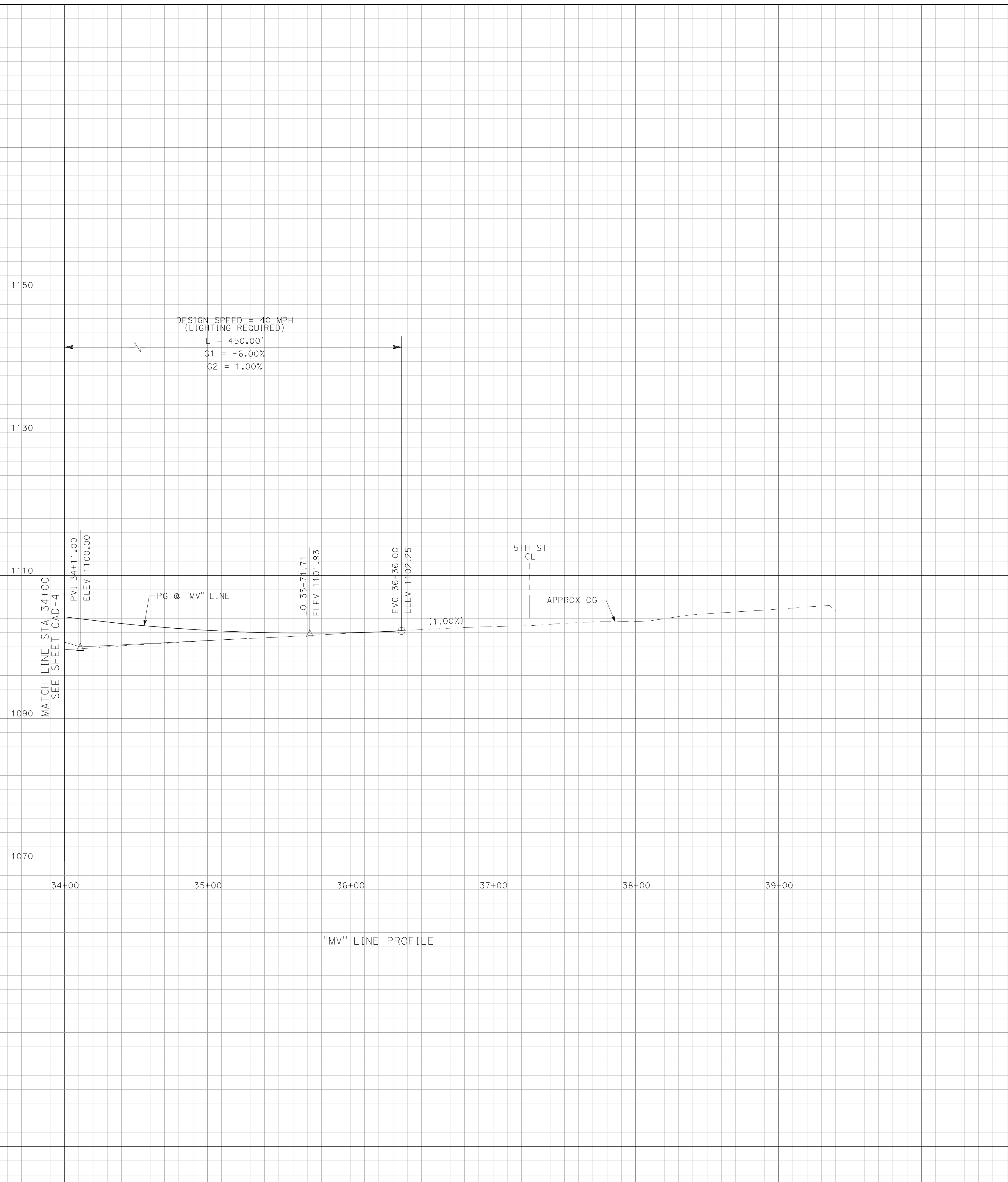
APPROVED \_\_\_\_\_ 20 12  
 CITY ENGINEER ROBERT G. ETSEMELER  
 RCE NO. 24931 EXP. 6-30-15  
 DRAWN BY: A. GADD  
 CHECKED BY: \_\_\_\_\_  
 RECOMMENDED BY: \_\_\_\_\_

**CITY OF SAN BERNARDINO**  
 DEVELOPMENT SERVICES-PUBLIC WORKS/ENGINEERING  
**MOUNT VERNON GRADE SEPARATION**  
**BRIDGE REPLACEMENT**  
**GEOMETRIC APPROVAL DRAWING**  
**PROFILE**

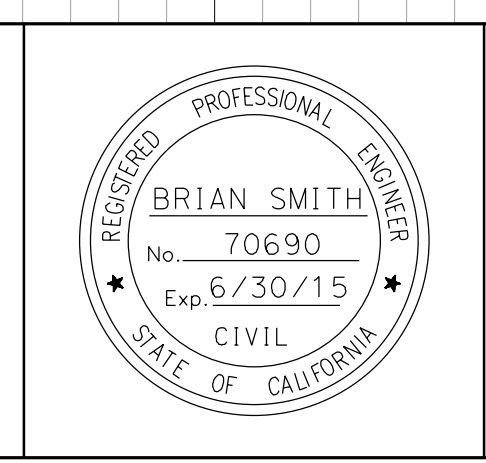
FOR CITY USE ONLY: FILE NO. \_\_\_\_\_ W.O. NO. \_\_\_\_\_

DRAWING NO. **GAD-4**  
 SHEET \_\_\_\_ OF \_\_\_\_ SHEETS

PROFILE SCALE  
 HORIZ. 1" = 40'  
 VERT. 1" = 8'



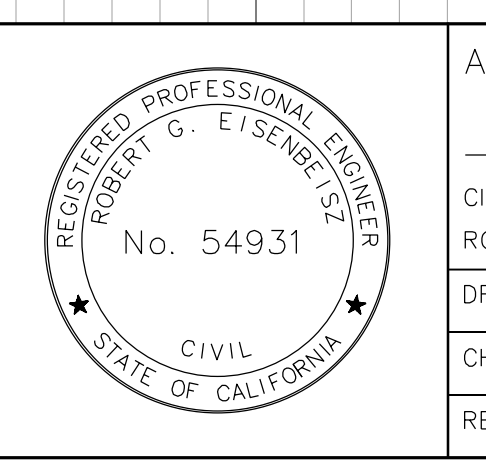
Underground Service Alert  
 Call: TOLL FREE  
 1-800-422-4133  
 TWO WORKING DAYS BEFORE YOU DIG



**AECOM**  
 901 VIA PIEMONTE  
 5TH FLOOR  
 ONTARIO, CA 91764  
 APPROVED BY: \_\_\_\_\_ DATE: \_\_\_\_\_

MARK	REVISIONS	BY	APPR	DATE

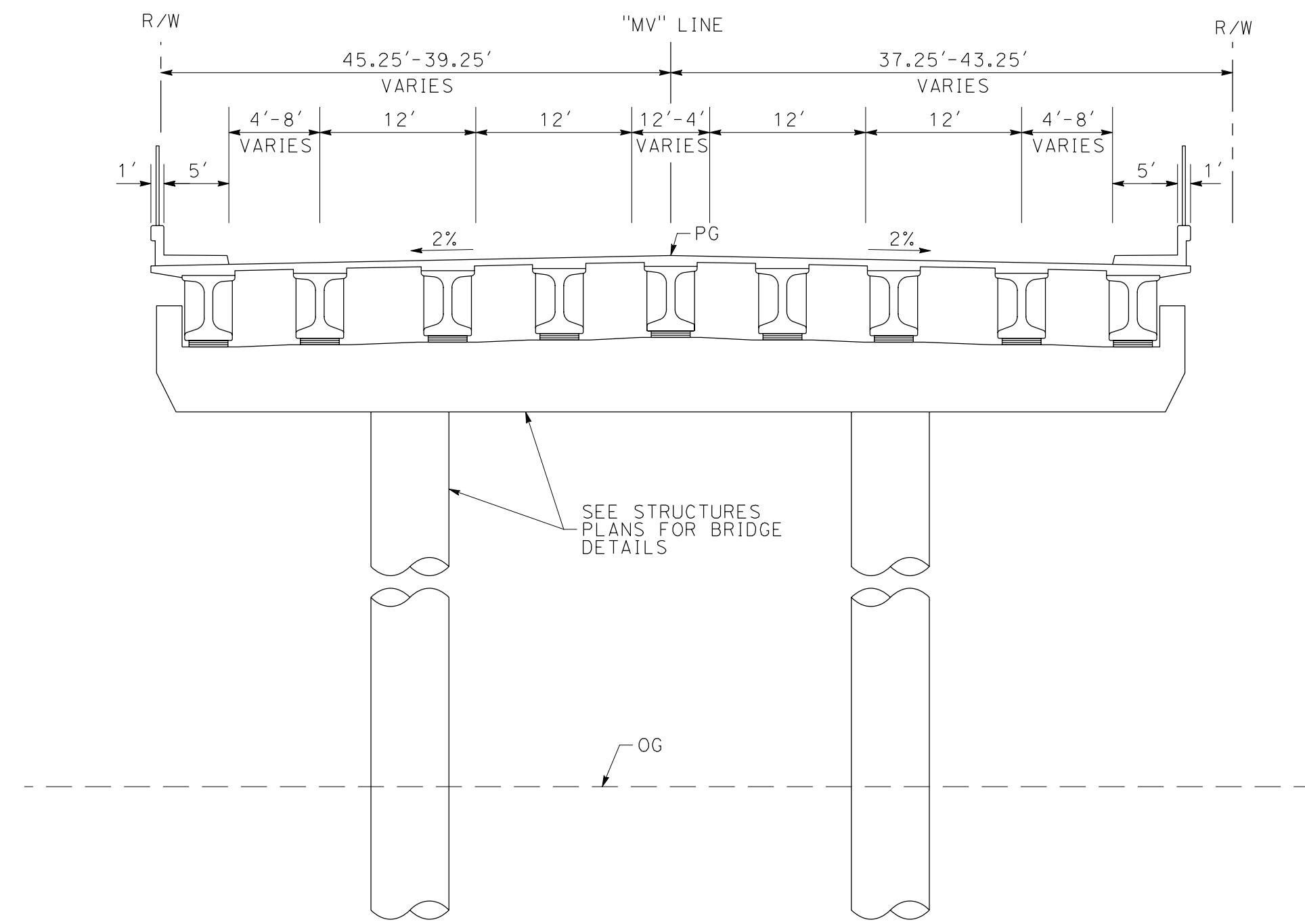
BENCHMARK:  
 CITY OF SAN BERNARDINO B7-1  
 USC & GS DESIGNATION: H-524 RESET 1962  
 ELEVATION = 1011.231 (NGVD 29/1972 ADJ.)



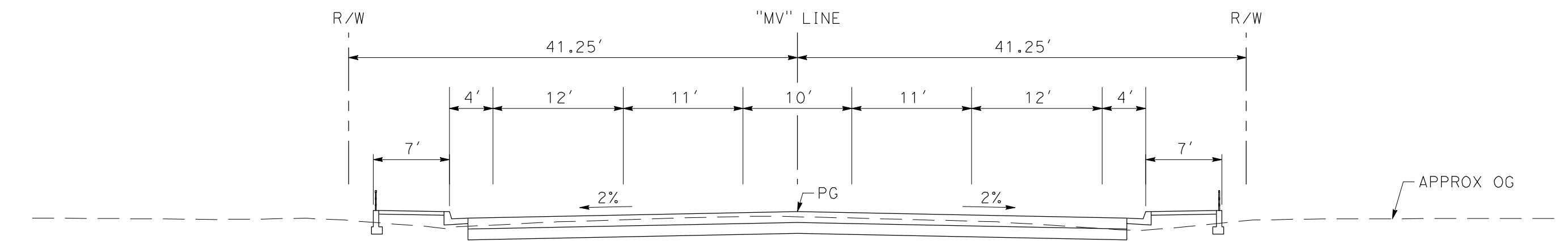
APPROVED \_\_\_\_\_ 20 12  
 CITY ENGINEER ROBERT G. EISENBEISZ  
 RCE NO. 24931 EXP. 6-30-15  
 DRAWN BY: A. GADD  
 CHECKED BY: \_\_\_\_\_  
 RECOMMENDED BY: \_\_\_\_\_

**CITY OF SAN BERNARDINO**  
 DEVELOPMENT SERVICES-PUBLIC WORKS/ENGINEERING  
**MOUNT VERNON GRADE SEPARATION**  
 BRIDGE REPLACEMENT  
**GEOMETRIC APPROVAL DRAWING**  
 PROFILE  
 FOR CITY USE ONLY: FILE NO. \_\_\_\_\_ W.O. NO. \_\_\_\_\_

DRAWING NO. **GAD-5**  
 SHEET \_\_\_\_ OF \_\_\_\_ SHEETS

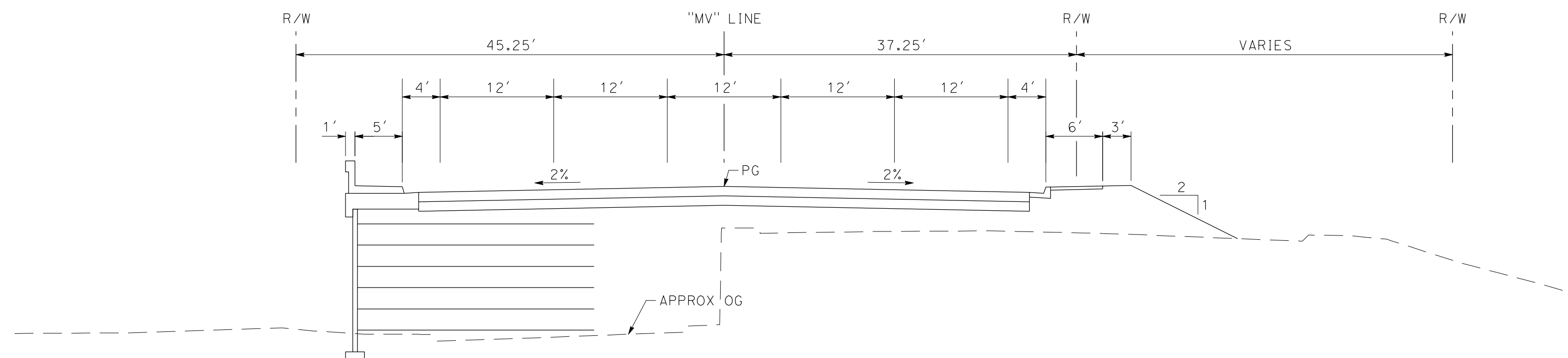


MOUNT VERNON AVENUE  
"MV" STA 19+44.34 TO "MV" STA 30+44.00  
NTS



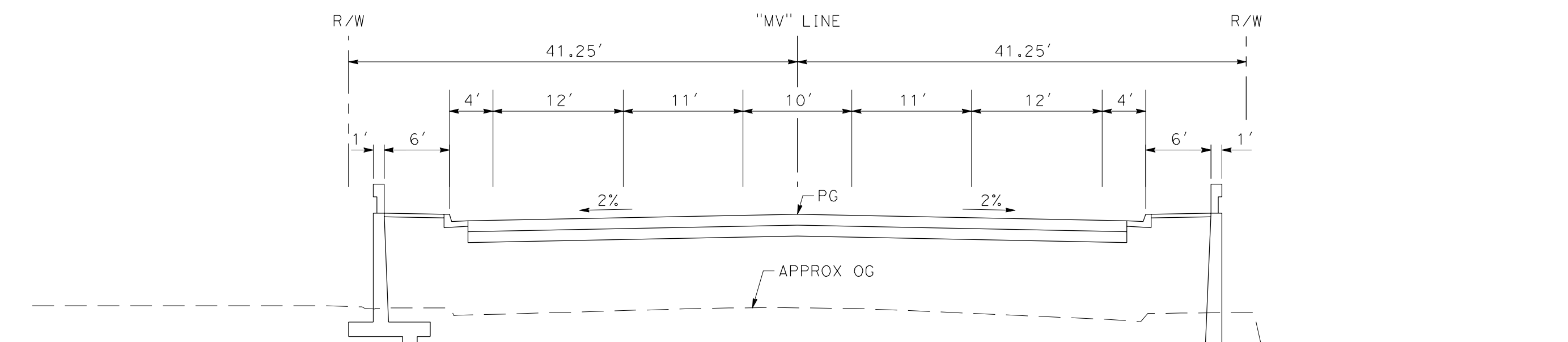
MOUNT VERNON AVENUE  
"MV" STA 34+15.01 TO "MV" STA 36+36.00  
NTS

KINGMAN STREET INTERSECTION  
"MV" STA 33+55.01 TO "MV" STA 34+15.01  
NTS

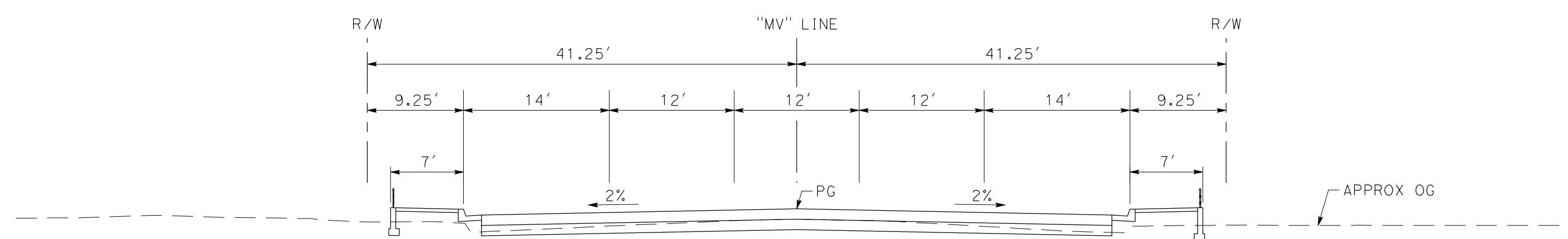


MOUNT VERNON AVENUE  
"MV" STA 17+66.78 TO "MV" STA 19+44.34  
NTS

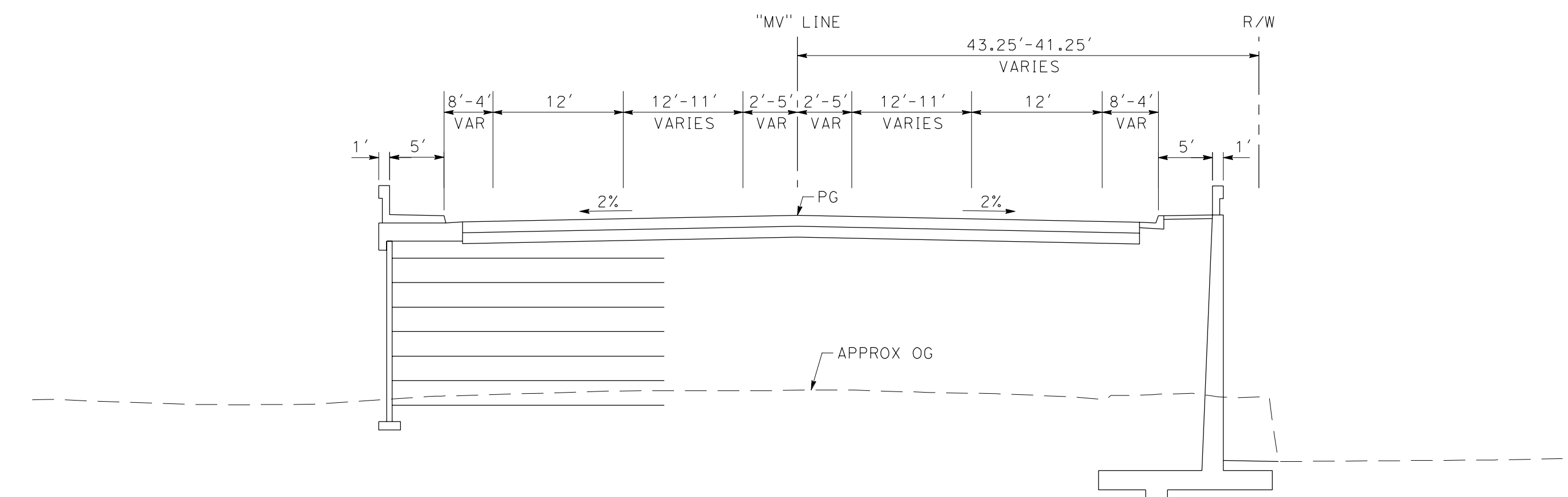
2ND STREET INTERSECTION  
"MV" STA 15+52.73 TO "MV" STA 17+66.78  
NTS



MOUNT VERNON AVENUE  
"MV" STA 32+34.58 TO "MV" STA 33+55.01  
NTS



MOUNT VERNON AVENUE  
"MV" STA 13+83.00 TO "MV" STA 15+52.73  
NTS



MOUNT VERNON AVENUE  
"MV" STA 30+44.00 TO "MV" STA 32+34.58  
NTS

Underground Service Alert  
Call: TOLL FREE  
1-800-422-4133  
TWO WORKING DAYS BEFORE YOU DIG



**AECOM**  
901 VIA PIEMONTE  
5TH FLOOR  
ONTARIO, CA 91764  
APPROVED BY: \_\_\_\_\_ DATE: \_\_\_\_\_

MARK	REVISIONS	BY	APPR	DATE

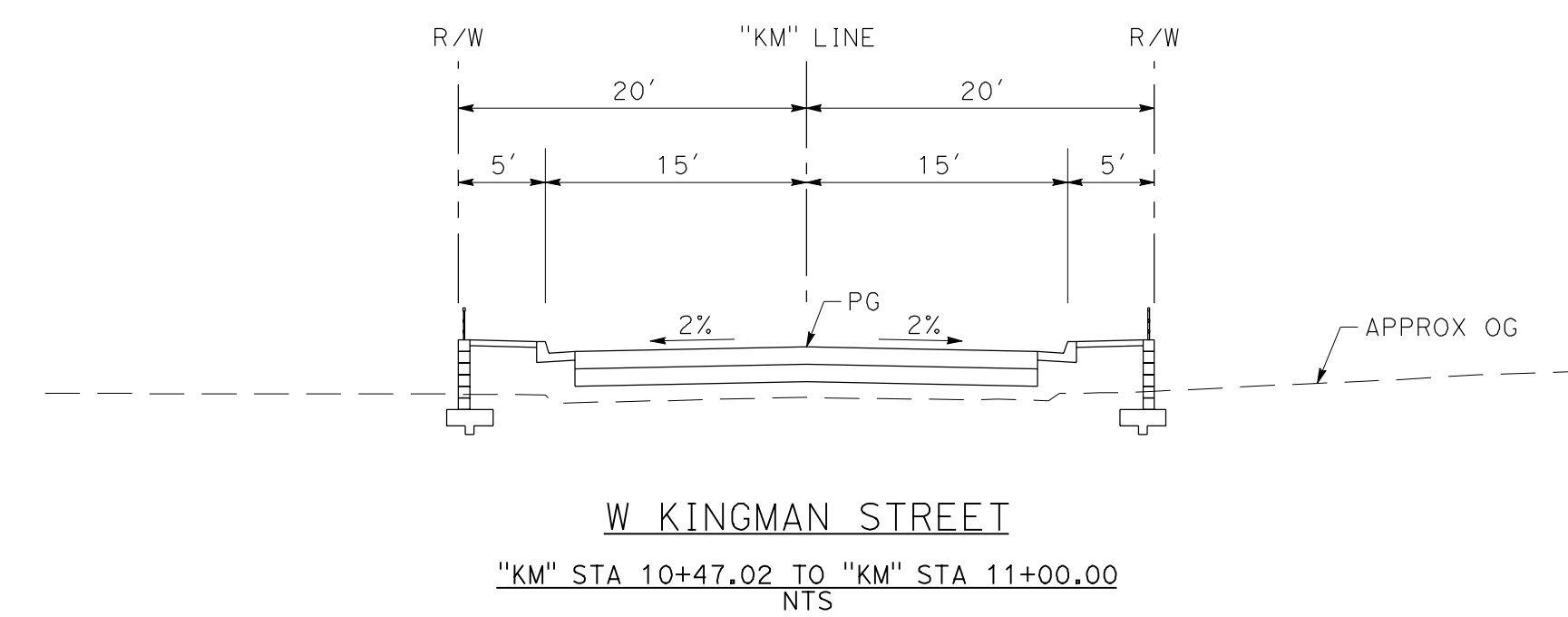
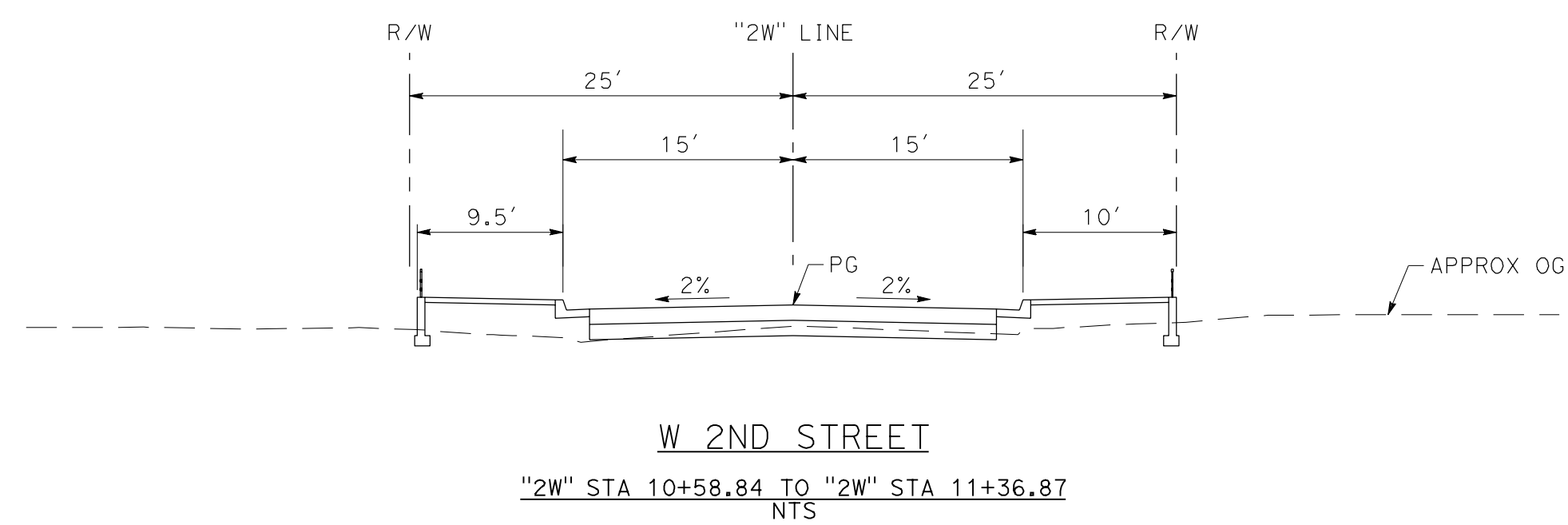
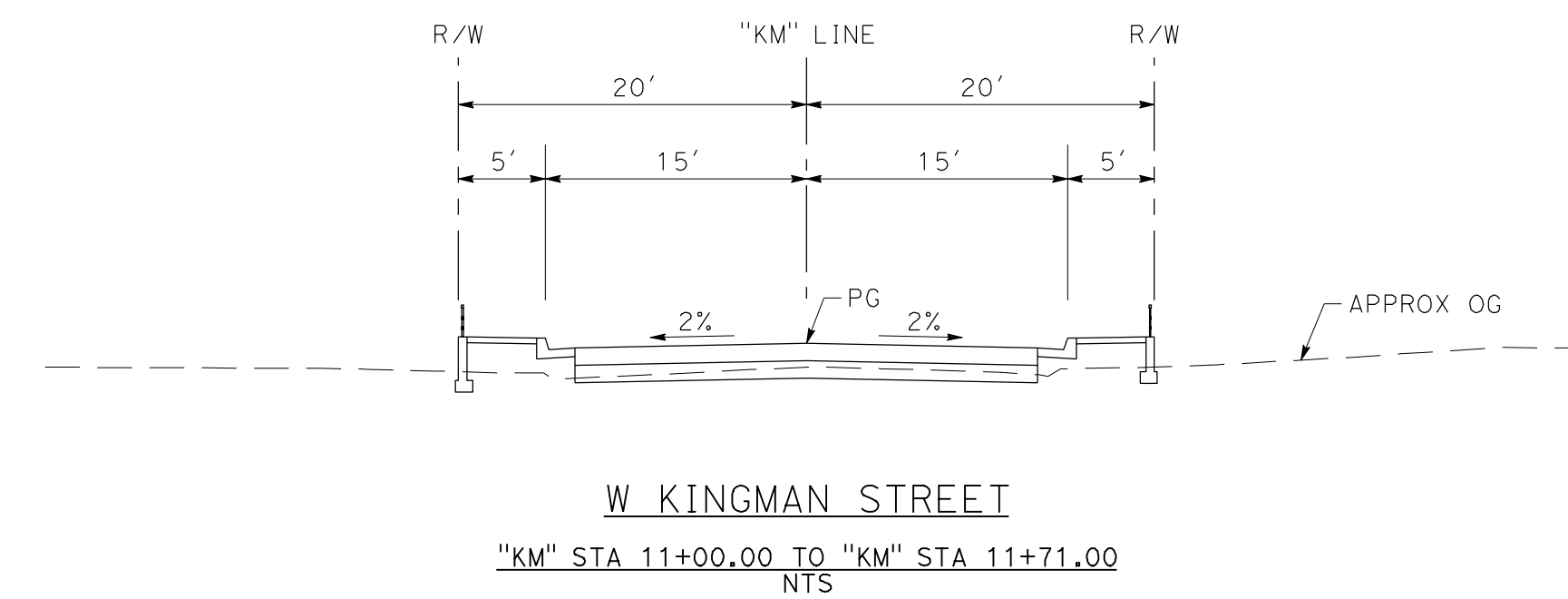
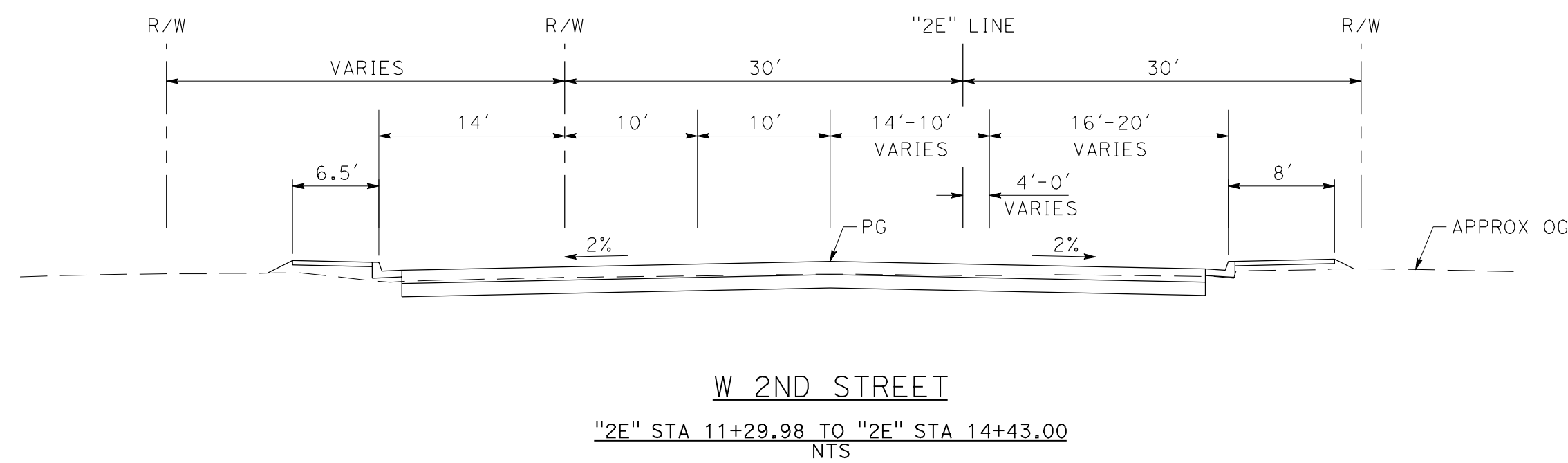
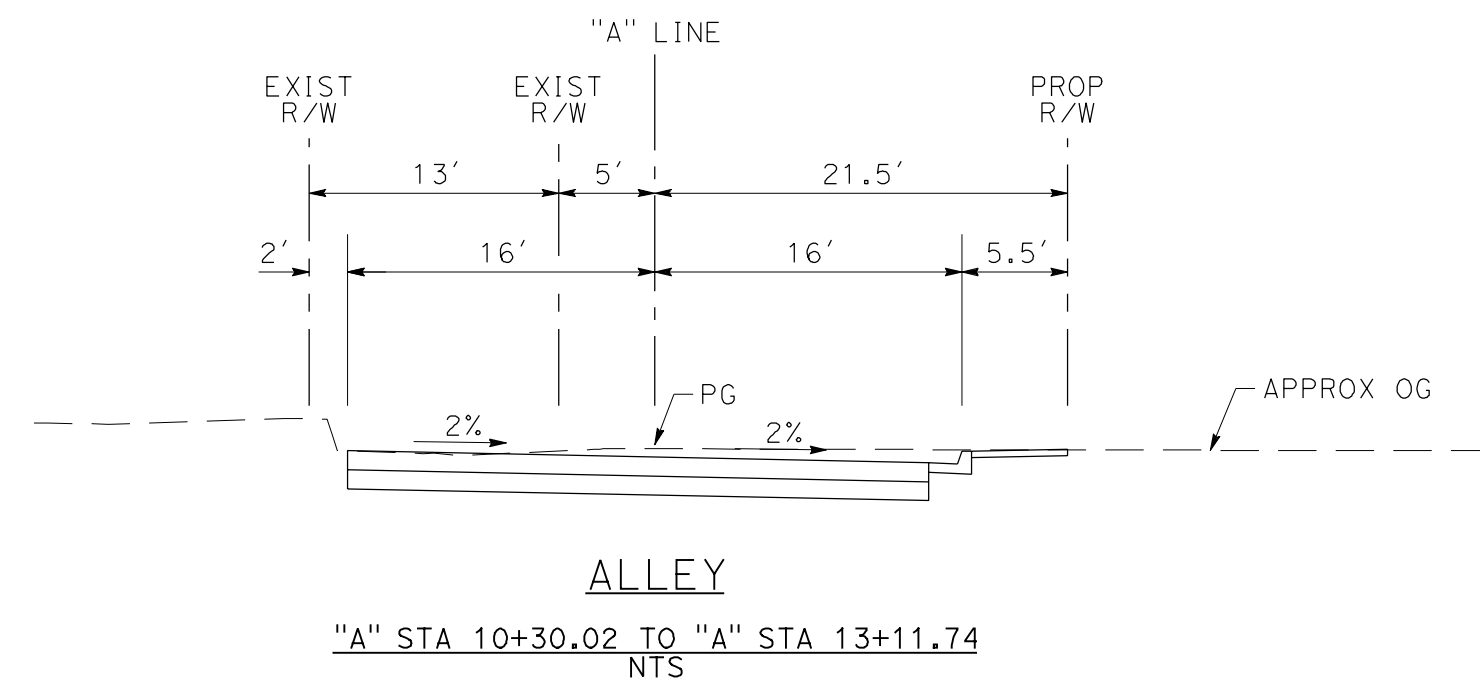
BENCHMARK:  
CITY OF SAN BERNARDINO B7-1  
USC & GS DESIGNATION: H-524 RESET 1962  
ELEVATION = 1011.231 (NGVD 29/1972 ADJ.)



APPROVED \_\_\_\_\_ 20 12  
CITY ENGINEER ROBERT G. EISENBEISZ  
RCE NO. 24931 EXP. 6-30-15  
DRAWN BY: A. GADD  
CHECKED BY: \_\_\_\_\_  
RECOMMENDED BY: \_\_\_\_\_

**CITY OF SAN BERNARDINO**  
DEVELOPMENT SERVICES-PUBLIC WORKS/ENGINEERING  
**MOUNT VERNON GRADE SEPARATION  
BRIDGE REPLACEMENT**  
**GEOMETRIC APPROVAL DRAWING  
TYPICAL SECTIONS**  
FOR CITY USE ONLY: FILE NO. \_\_\_\_\_ W.O. NO. \_\_\_\_\_

DRAWING NO. **GAD-6**  
SHEET \_\_\_\_ OF \_\_\_\_ SHEETS



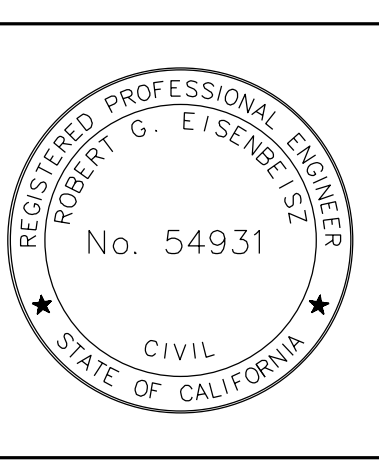
Underground Service Alert  
 Call: TOLL FREE  
 1-800-422-4133  
 TWO WORKING DAYS BEFORE YOU DIG



**AECOM**  
 901 VIA PIEMONTE  
 5TH FLOOR  
 ONTARIO, CA 91764

APPROVED BY: \_\_\_\_\_ DATE: \_\_\_\_\_

MARK	REVISIONS	BY	APPR	DATE
BENCHMARK: CITY OF SAN BERNARDINO B7-1 USC & GS DESIGNATION: H-524 RESET 1962 ELEVATION = 1011.231 (NGVD 29/1972 ADJ.)				



APPROVED \_\_\_\_\_ 20 12  
 CITY ENGINEER ROBERT G. EISENBEISZ  
 RCE NO. 54931 EXP. 6-30-15  
 DRAWN BY: A. GADD  
 CHECKED BY:  
 RECOMMENDED BY:

**CITY OF SAN BERNARDINO**  
 DEVELOPMENT SERVICES-PUBLIC WORKS/ENGINEERING  
**MOUNT VERNON GRADE SEPARATION**  
 BRIDGE REPLACEMENT  
**GEOMETRIC APPROVAL DRAWING**  
 TYPICAL SECTIONS

FOR CITY USE ONLY: FILE NO. \_\_\_\_\_ W.O. NO. \_\_\_\_\_

DRAWING NO. **GAD-7**  
 SHEET \_\_\_\_ OF \_\_\_\_ SHEETS