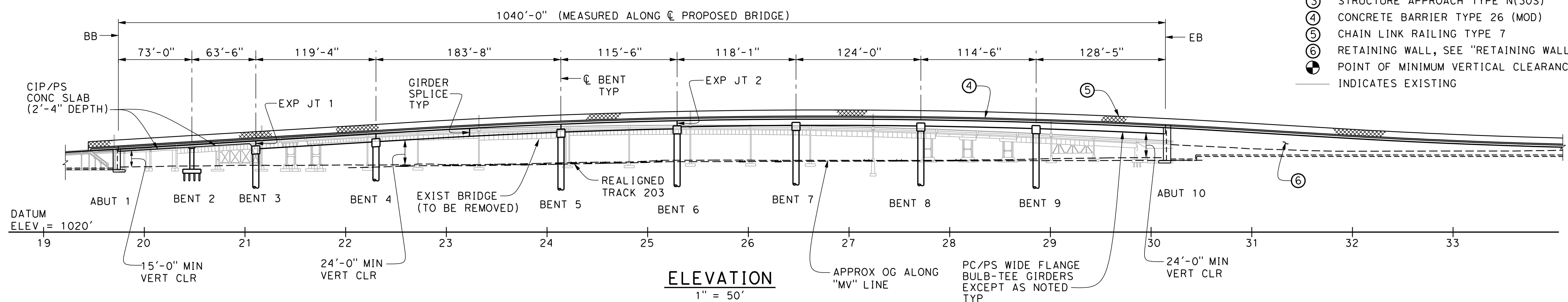
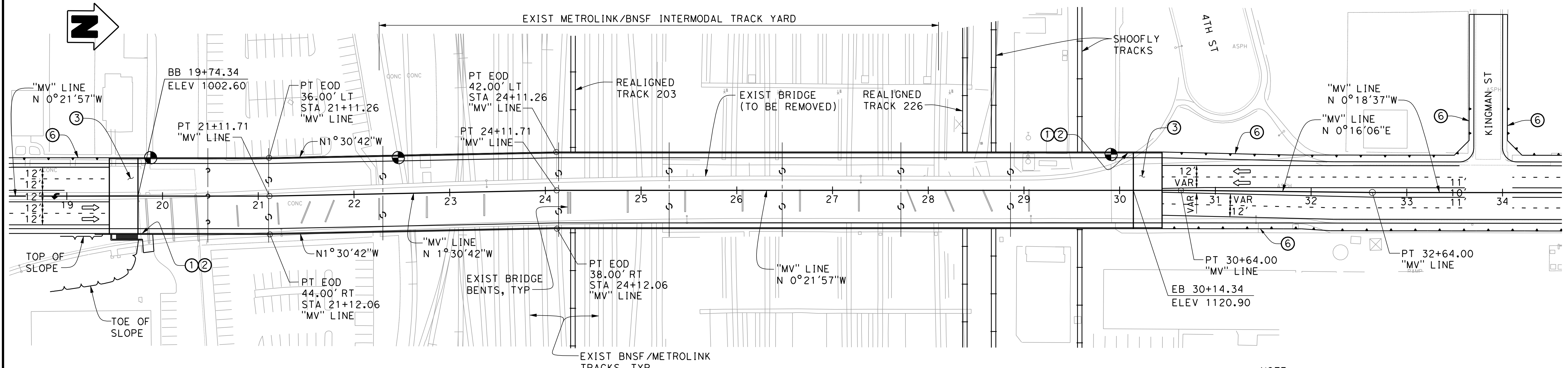


PROFILE GRADE
NO SCALE

- LEGEND:**
- ① PAINT "BR. NO. 54C-0066"
 - ② PAINT "BRIDGE NAME"
 - ③ STRUCTURE APPROACH TYPE N(30S)
 - ④ CONCRETE BARRIER TYPE 26 (MOD)
 - ⑤ CHAIN LINK RAILING TYPE 7
 - ⑥ RETAINING WALL, SEE "RETAINING WALL INDEX" SHEET
 - POINT OF MINIMUM VERTICAL CLEARANCE
 - INDICATES EXISTING



ELEVATION
1" = 50'

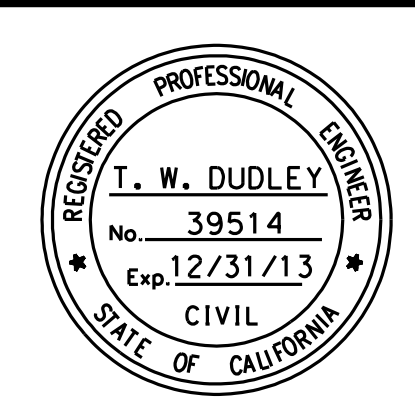


PLAN
1" = 50'

NOTE:
THE CONTRACTOR SHALL VERIFY ALL CONTROLLING FIELD DIMENSIONS BEFORE ORDERING OR FABRICATING ANY MATERIAL.

NOTE:
1. FOR "TYPICAL SECTION", SEE "GENERAL PLAN NO. 2" SHEET.

Underground Service Alert
Call: TOLL FREE
1-800-422-4133
TWO WORKING DAYS BEFORE YOU DIG



AECOM
901 VIA PIEMONTE
5TH FLOOR
ONTARIO, CA 91764
APPROVED BY: _____ DATE: _____

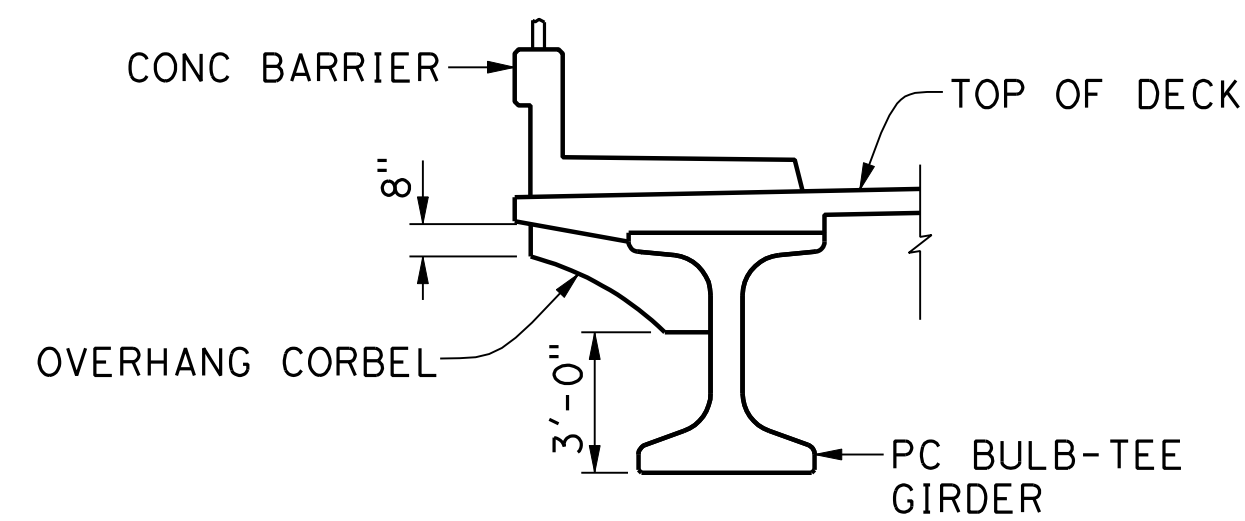
MARK	REVISIONS	BY	APPR	DATE
BENCHMARK: CITY OF SAN BERNARDINO B7-1 USC & GS DESIGNATION: H-524 RESET 1962 ELEVATION = 1011.231 (NGVD 29/1972 ADJ.)				



APPROVED: _____ 2012
CITY ENGINEER: ROBERT G. EISENBEISZ
RCE NO. 54931 EXP. 6-20-15
DRAWN BY: R. ANDRASEK
CHECKED BY: _____
RECOMMENDED BY: _____

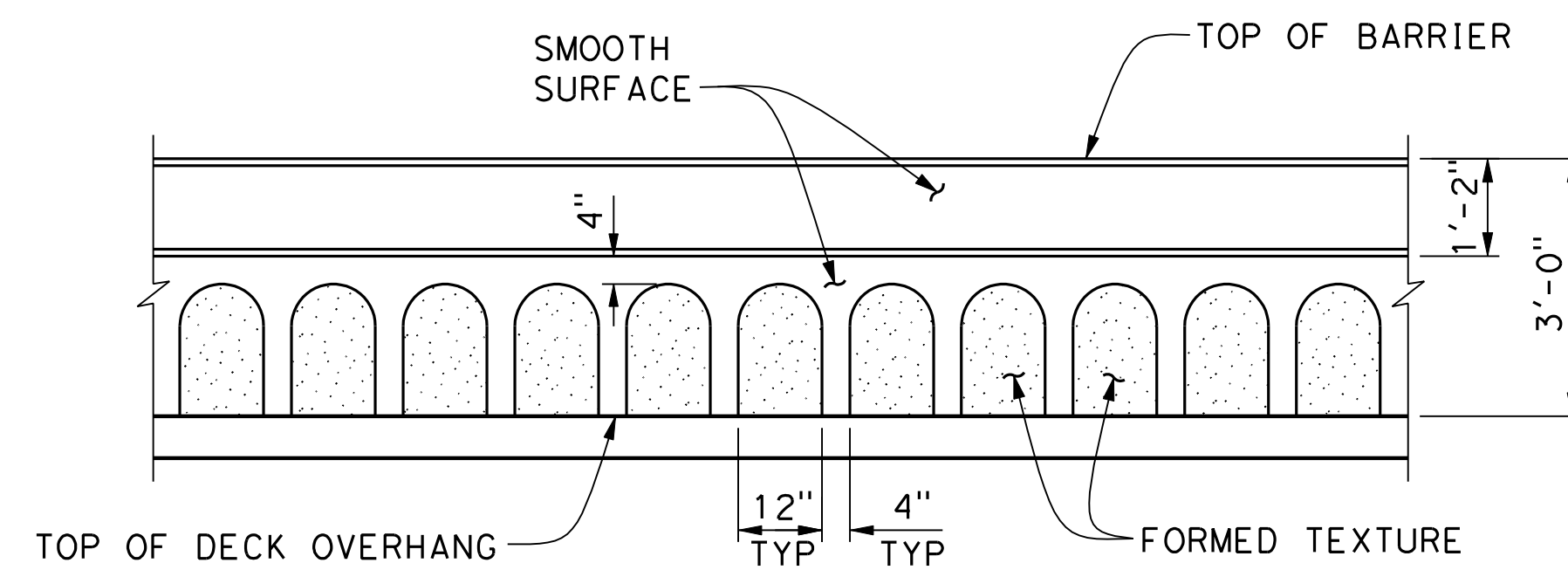
CITY OF SAN BERNARDINO
DEVELOPMENT SERVICES - PUBLIC WORKS/ENGINEERING
**MOUNT VERNON GRADE SEPARATION
BRIDGE REPLACEMENT**
GENERAL PLAN NO. 1
FOR CITY USE ONLY: FILE NO. _____ W.O. NO. _____

DRAWING NO. _____
SHEET ____ OF ____ SHEETS



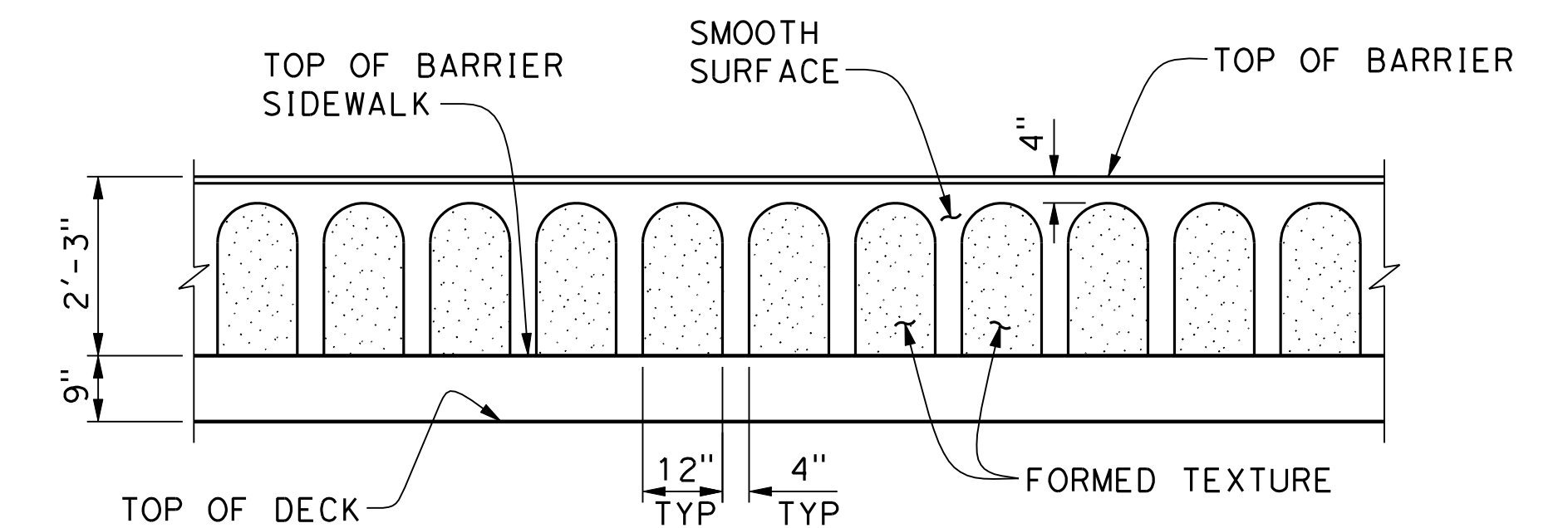
OVERHANG CORBEL

1/2" = 1'-0"



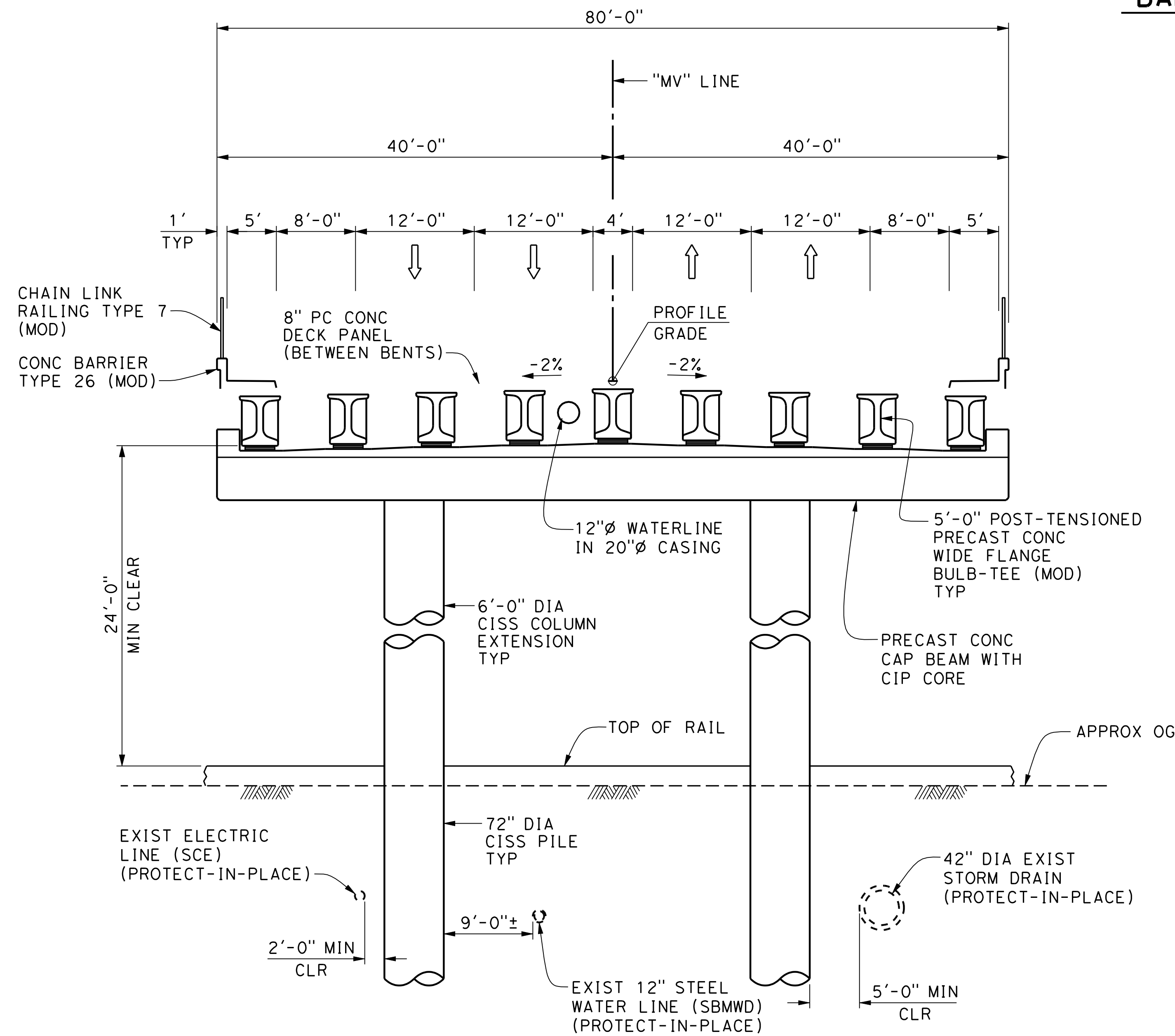
OUTSIDE FACE BARRIER ARCHITECTURAL TREATMENT

1/4" = 1'-0"



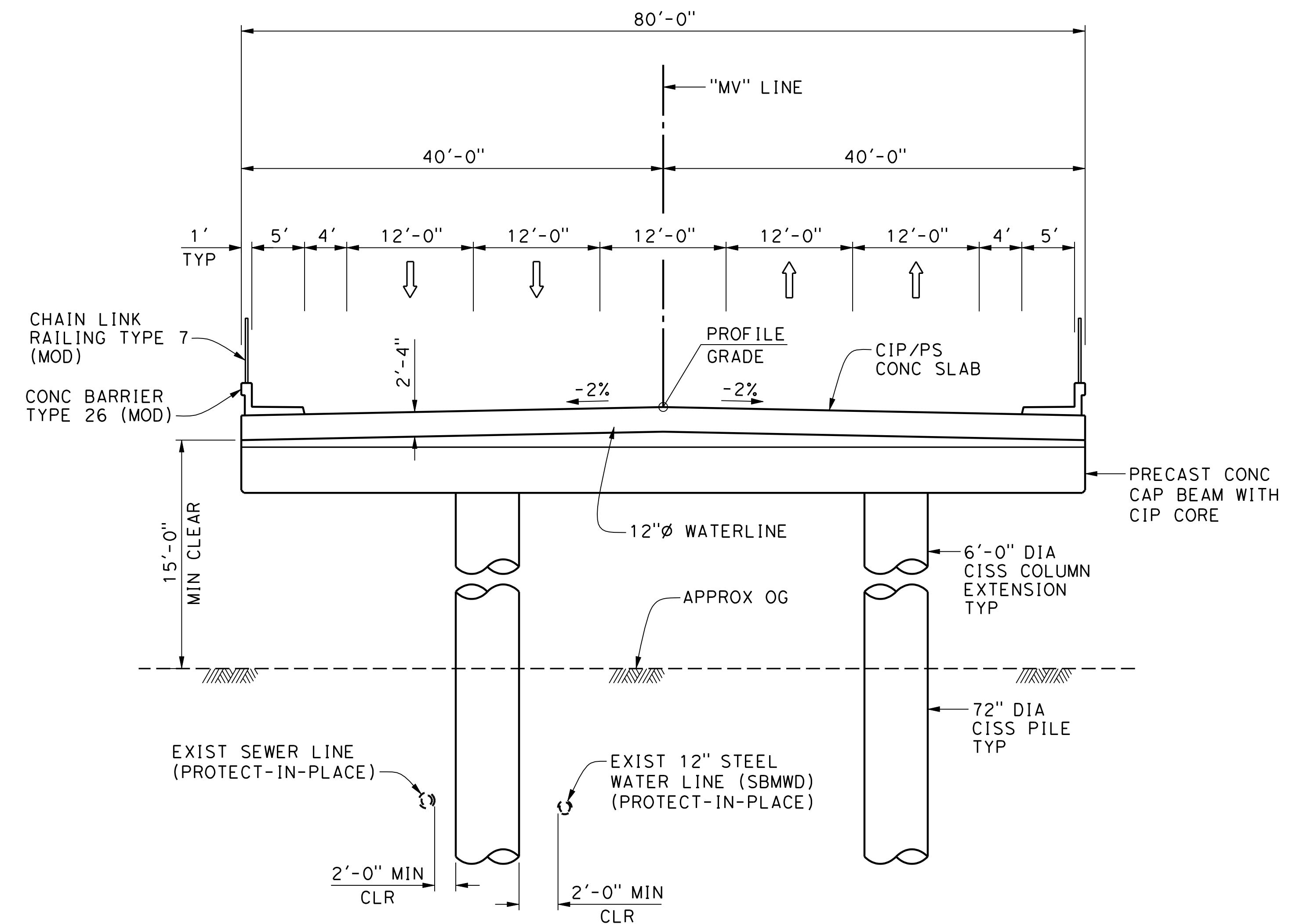
INSIDE FACE BARRIER ARCHITECTURAL TREATMENT

1/4" = 1'-0"



TYPICAL SECTION - BENTS 7, 8 & 9

1/8" = 1'-0"



TYPICAL SECTION - BENT 3

1/8" = 1'-0"

ABBREVIATION

CISS CAST IN STEEL SHELL

Underground Service Alert
 Call: TOLL FREE
 1-800-422-4133
 TWO WORKING DAYS BEFORE YOU DIG

PROFESSIONAL ENGINEER
 T. W. DUDLEY
 No. 39514
 Exp. 12/31/13
 CIVIL
 STATE OF CALIFORNIA

AECOM
 901 VIA PIEMONTE
 5TH FLOOR
 ONTARIO, CA 91764
 APPROVED BY: _____ DATE: _____

MARK	REVISIONS	BY	APPR	DATE

BENCHMARK:
 CITY OF SAN BERNARDINO B7-1
 USC & GS DESIGNATION: H-524 RESET 1962
 ELEVATION = 1011.231 (NGVD 29/1972 ADJ.)

REGISTERED PROFESSIONAL ENGINEER
 ROBERT G. EISENDEISZ
 No. 54931
 CIVIL
 STATE OF CALIFORNIA

APPROVED _____ 2012
 CITY ENGINEER ROBERT G. EISENDEISZ
 RCE NO. 54931 EXP. 6-20-15
 DRAWN BY: R. ANDRASEK
 CHECKED BY: _____
 RECOMMENDED BY: _____

CITY OF SAN BERNARDINO
 DEVELOPMENT SERVICES-PUBLIC WORKS/ENGINEERING
MOUNT VERNON GRADE SEPARATION BRIDGE REPLACEMENT
 GENERAL PLAN NO. 2
 FOR CITY USE ONLY: FILE NO. _____ W.O. NO. _____

DRAWING NO. _____
 SHEET ____ OF ____ SHEETS